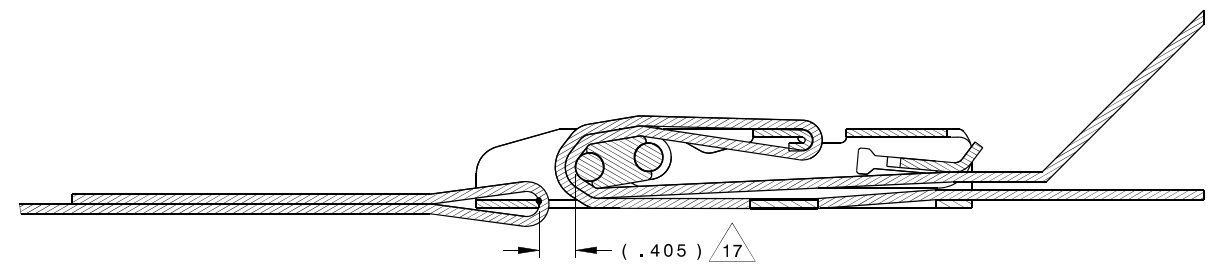
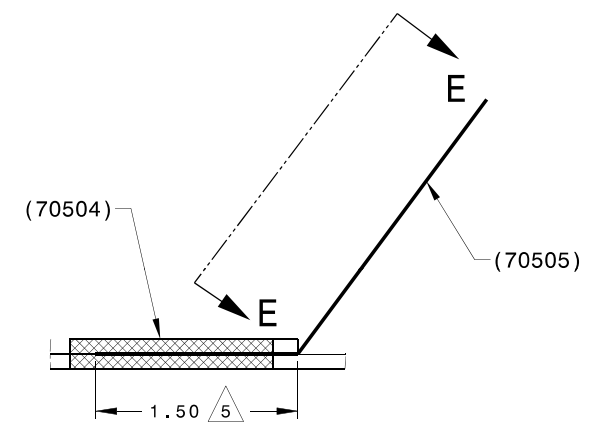




THE INFORMATION AND DESIGN DISCLOSED HEREIN WAS ORIGINATED BY AND IS THE PROPERTY OF ANCR INTERNATIONAL. ANCR INTERNATIONAL RESERVES ALL PATENT PROPRIETARY, DESIGN, MANUFACTURING, REPRODUCTION, USE AND SALES RIGHTS THEREOF, AND TO ANY ARTICLE DISCLOSED HEREIN, EXCEPT TO THE EXTENT RIGHTS ARE EXPRESSLY GRANTED TO OTHERS IN WRITING. THE FOREGOING DOES NOT APPLY TO VENDOR PROPRIETARY PARTS.



**VIEW A-A**  
-10, -11 & -12  
REEVING DIAGRAM  
SCALE 1/1



**DETAIL C TYP** 5  
-10, -11 & -12  
LABEL CAPTIVATION DETAIL  
NOT TO SCALE

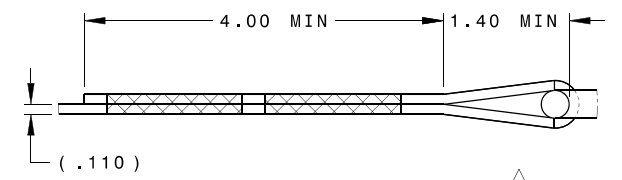
(1.75)

**ANCR INTERNATIONAL**  
CAGE: 31272

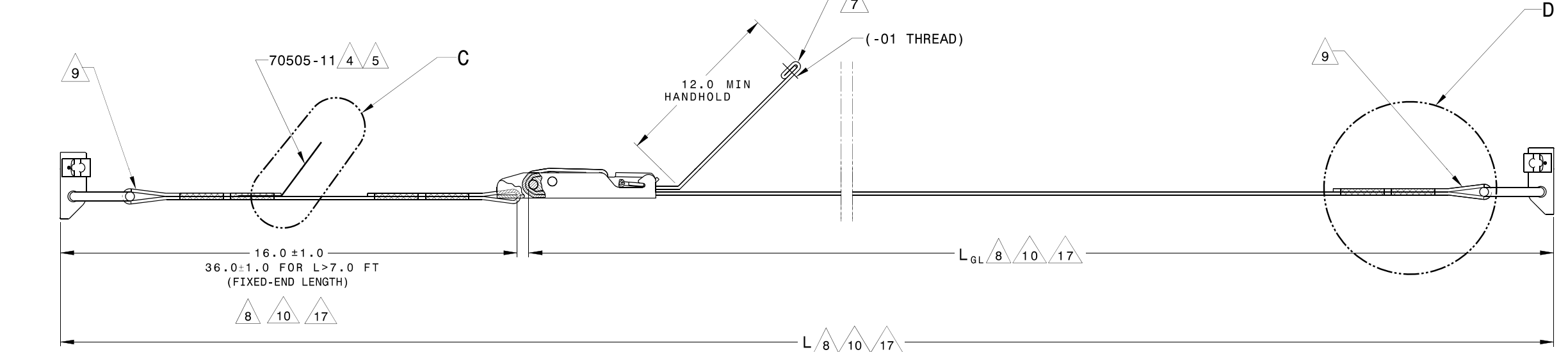
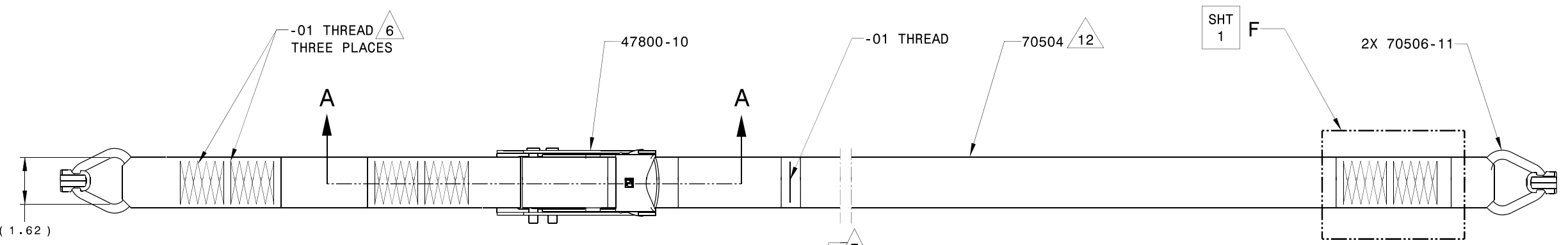
ULTIMATE LOAD:  
2224 daN - 5000 lbf

TSO#:  
ETSO#:  
P/N:  
MFG:  
EXP:  
BATCH:

**VIEW E-E TYP** 5  
-10, -11 & -12 LABEL TOP PORTION  
NOT TO SCALE



**DETAIL D TYP** 9  
-11 WEBBING LOOP CONFIGURATION  
SCALE 1/1



**-11 CONFIGURATION** 19

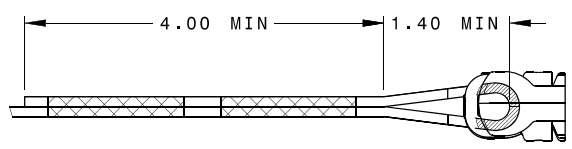
DRAWN	I. M. NICA	08/18/14
CHECKED	M. POPOFF	08/22/14
ENGINEER	W. BURROWS	08/22/14
STRESS		
APPROVED	E. MORADIANS	08/22/14
SCALE:	1/2	

SIZE D DWG. NO. 70059 REV U

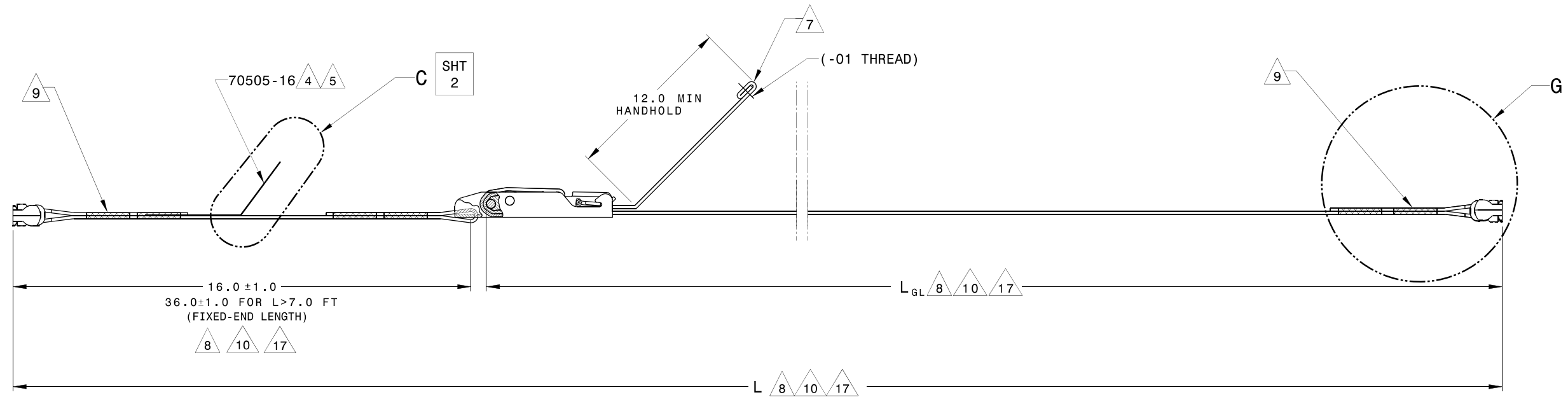
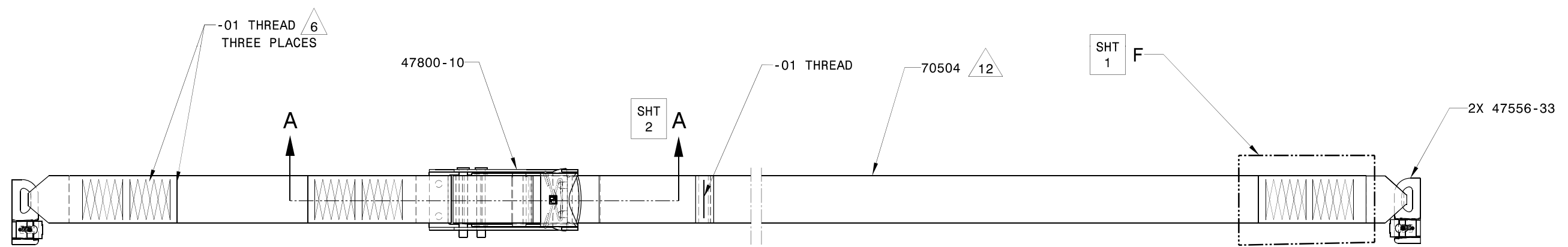


SH 2 REV U DWG. NO. 70059

THE INFORMATION AND DESIGN DISCLOSED HEREIN WAS ORIGINATED BY AND IS THE PROPERTY OF ANCR INTERNATIONAL. ANCR INTERNATIONAL RESERVES ALL PATENT PROPRIETARY, DESIGN, MANUFACTURING, REPRODUCTION, USE AND SALES RIGHTS THEREOF, AND TO ANY ARTICLE DISCLOSED HEREIN, EXCEPT TO THE EXTENT RIGHTS ARE EXPRESSLY GRANTED TO OTHERS IN WRITING. THE FOREGOING DOES NOT APPLY TO VENDOR PROPRIETARY PARTS.



**DETAIL G TYP**  
**-12 WEBBING LOOP CONFIGURATION**  
 SCALE 1/1



**-12 CONFIGURATION**  
 SAME AS -11 EXCEPT AS SHOWN

DRAWN	I. M. NICA	08/18/14
CHECKED	M. POPOFF	08/22/14
ENGINEER	W. BURROWS	08/22/14
STRESS		
APPROVED	E. MORADIANS	08/22/14
SCALE:	1/2 SH 3 OF 3 FSCM 31272	SIZE D

**ANCR INTERNATIONAL**  
 AZUSA, CA 91702

DWG. NO. 70059 REV U

70059