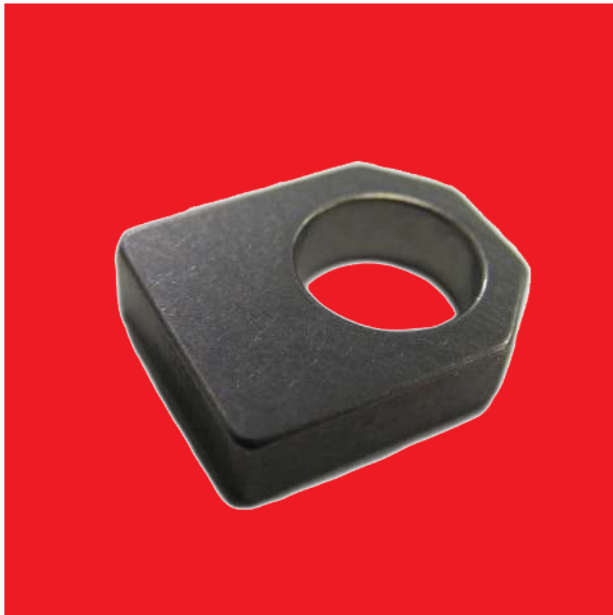


ATS AAXICO Technical Services
PMA Product Release

50J014ATS Spacer Plate



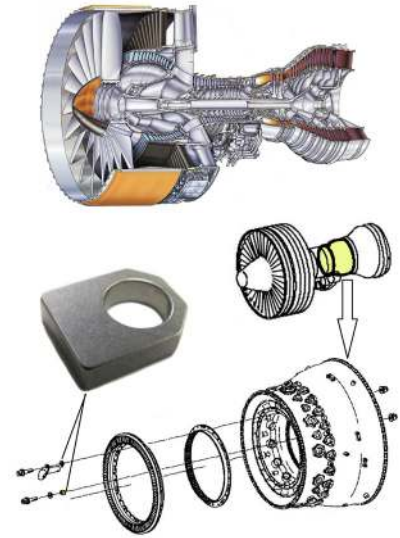
INSTALLS ON:
PW4052PW4056, PW4060,
PW4060C, PW4062, PW4062A,
PW4152, PW4156A, PW4158,
PW4460, PW4462

Because time matters
kapco-global.com



Kapco Global
Aerospace Parts & Distribution Services

The SPACER PLATE is part of the Fifteen Stage Compressor Exit Ring-Air Sealing Stator and installs between the Compressor Stator and either the HPC Air Sealing Ring or the Flat Washer. The function of the SPACER PLATE is to provide a flat seating surface and to protect the HPC Air Sealing Ring and contacting parts from wear during operation. The SPACER PLATE is made of Inconel X750 and is approximately 0.5 X 0.4 X 0.1 inches.



Part Name	ATS PMA P/N	OEM P/N	OEM	ELIGIBILITY
Spacer Plate	50J014ATS	50J014	Pratt and Whitney	PW4052, PW4056, PW4060, PW4060C, PW4062, PW4062A, PW4152, PW4156A, PW4158, PW4460, PW4462

Advantages of Product Improvement:

Improved availability of parts in the market and offers a substantial cost savings over the OEM part without affecting the original form, fit or function.

Hazmat Statement: Parts manufactured by AAXICO Technical Services do not willfully contain hazardous materials and metals derived from minerals defined as "Conflict Minerals". These include, but are not limited to, tantalum, tin, tungsten and gold. For more information regarding "Conflict Minerals," please refer to section 1502 of the Dodd-Frank Act.

US Locations

Corporate Headquarters
+1 714-223-5400
Centerbrook Facility
+1 860-581-5700

Tamarac Facility
+1 954-247-6680

Europe Locations

France Facility
+33 388 07 26 40
Netherlands Facility
+31 20 655 4330
Spain Facility
+34 648 132 116
United Kingdom Facility
+44 1420 482900

Asia Locations

Singapore Facility
+65 62143233
China Facility
+86 20 87337907



Kapco Global
Aerospace Parts & Distribution Services