

ATS AAXICO Technical Services
PMA Product Release

131728-1ATS Shroud



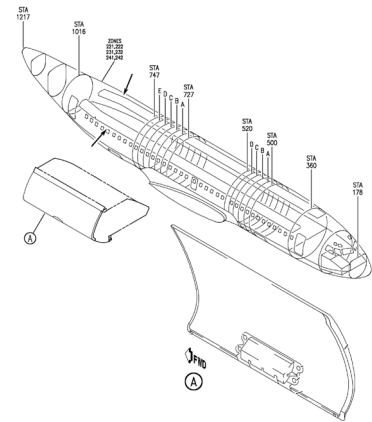
INSTALLS ON:
Overhead Storage Bin Latch
B737NG, B757 Series

Because time matters
kapco-global.com



Kapco Global
Aerospace Parts & Distribution Services

The SHROUD is an injection molded polycarbonate part that mounts to the housing of the latch on the door of the overhead stowage bin. The SHROUD acts as a cover for the latch and complements the aesthetics of the bin door.



Part Name	ATS PMA P/N	OEM P/N	OEM	ELIGIBILITY
Shroud	131728-1ATS	131728-1	Hartwell Corporation	737-600, 700, 700C, 800, 900 Series 757-200, 300 Series

Advantages of Product Improvement:

Offers a substantial cost savings over the OEM part without affecting the original form, fit or function.

Hazmat Statement: Parts manufactured by AAXICO Technical Services do not willfully contain hazardous materials and metals derived from minerals defined as "Conflict Minerals". These include, but are not limited to, tantalum, tin, tungsten and gold. For more information regarding "Conflict Minerals," please refer to section 1502 of the Dodd-Frank Act.

US Locations

Corporate Headquarters

+1 714-223-5400

Santa Clarita Facility

+1 661-621-6500

Centerbrook Facility

+1 860-581-5700

Wellington Facility

+1 561-798-6606

Miami Facility

+1 305-592-4633

Europe Locations

France Facility

+33 388 07 26 40

Netherlands Facility

+31 20 655 4330

Spain Facility

+34 648 132 116

United Kingdom Facility

+44 1420 482900

Asia Locations

Singapore Facility

+65 62143233

China Facility

+86 20 87337907



Kapco Global
Aerospace Parts & Distribution Services

kapco-global.com