

**ATS** AAXICO Technical Services  
**PMA Product Release**

# 218304ATS Stationary Shaft Seal



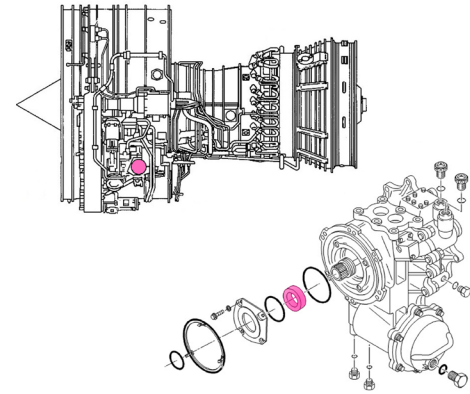
**INSTALLS ON:**  
Fuel Pump and  
Filter Assembly  
CFM 56-2/-3/-5  
PW4000 Series

Because time matters  
[kapco-global.com](http://kapco-global.com)



**Kapco Global**  
Aerospace Parts & Distribution Services

The STATIONARY SHAFT SEAL is a spring loaded mechanical seal that resides in the Seal Carrier Assembly within the Fuel Pump and Filter Assembly of the Engine. The STATIONARY SHAFT SEAL consists of seven details, four of which are stainless steel. The main contacting and rubbing component is made of carbon graphite. The assembly also contains a spring-energized seal component and a wave spring to provide mechanical loading for the assembly. The carbon graphite face that creates the seal is flat within three helium light bands.



Part Name	ATS PMA P/N	OEM P/N	OEM	ELIGIBILITY
Stationary Shaft Seal	218304ATS	218304	Argo-Tech	CFM56-2, CFM56-2A,CFM56-2B, CFM56-3, CFM56-3B, CFM56-5, CFM56-5-A1/F, CFM56-5A3, CFM56-5A4, CFM56-5A4/F, CFM56-5A5, CFM56-5A5/F CFM56-5B1, CFM56-5B2, CFM56-5B4, CFM56-5B6, CFM56-5C2, CFM56-5C2/G, CFM56-5C3/F4 PW4050, PW4052, PW4056, PW4060, 4060A, PW4060C, PW4062, PW4062A, PW4152, PW4156, PW4156A, PW4158, PW4160, PW4460, 4462

## Advantages of Product Improvement:

Improved availability of parts in the market. Offers a substantial cost savings over the OEM part without affecting the original form, fit or function.

**Hazmat Statement:** Parts manufactured by AAXICO Technical Services do not willfully contain hazardous materials and metals derived from minerals defined as "Conflict Minerals". These include, but are not limited to, tantalum, tin, tungsten and gold. For more information regarding "Conflict Minerals," please refer to section 1502 of the Dodd-Frank Act.

### US Locations

#### Corporate Headquarters

+1 714-223-5400

#### Santa Clarita Facility

+1 661-621-6500

#### Centerbrook Facility

+1 860-581-5700

#### Wellington Facility

+1 561-798-6606

#### Miami Facility

+1 305-592-4633

### Europe Locations

#### France Facility

+33 388 07 26 40

#### Netherlands Facility

+31 20 655 4330

#### Spain Facility

+34 648 132 116

#### United Kingdom Facility

+44 1420 482900

### Asia Locations

#### Singapore Facility

+65 62143233

#### China Facility

+86 20 87337907



**Kapco Global**  
Aerospace Parts & Distribution Services

[kapco-global.com](http://kapco-global.com)