

ATS AAXICO Technical Services
PMA Product Release

D2527131620000ATS Section



INSTALLS ON:
Airbus 320 Series

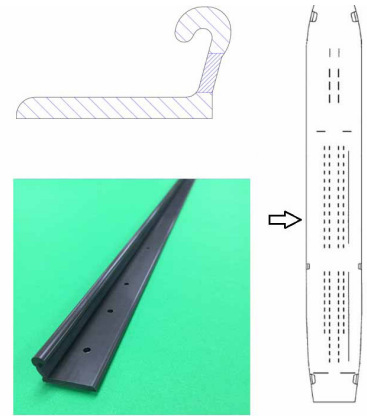
Because time matters
kapco-global.com



Kapco Global
Aerospace Parts & Distribution Services

The SECTION is used on aircraft floor and serves as an additional support to hold down the carpet edges. This is essential to maintaining a clear aisle for passengers and crew.

The SECTION installs adjacent to edge of the carpeting. It comes in 40 inch lengths and has predrilled holes for installation.



Part Name	ATS PMA P/N	OEM P/N	OEM	ELIGIBILITY
Section	D2527131620000ATS	D2527131620000	PFW AEROSPACE GMBH	Airbus 320 Series

Advantages of Product Improvement:

Improved availability of parts in the market and offers a substantial cost savings over the OEM part without affecting the original form, fit or function.

Hazmat Statement: Parts manufactured by AAXICO Technical Services do not willfully contain hazardous materials and metals derived from minerals defined as "Conflict Minerals". These include, but are not limited to, tantalum, tin, tungsten and gold. For more information regarding "Conflict Minerals," please refer to section 1502 of the Dodd-Frank Act.

US Locations

Corporate
Headquarters
+1 714-223-5400
Centerbrook Facility
+1 860-581-5700

Tamarac
Facility
+1 954-247-6680

Europe Locations

France Facility
+33 388 07 26 40
Netherlands Facility
+31 20 655 4330
Spain Facility
+34 648 132 116
United Kingdom Facility
+44 1420 482900

Asia Locations

Singapore Facility
+65 62143233
China Facility
+86 20 87337907



Kapco Global
Aerospace Parts & Distribution Services