

ATS AAXICO Technical Services
PMA Product Release

A2527576120400ATS HANDLE



INSTALLS ON:

A300-600

A310

A319 Series

A320 Series

A321 Series

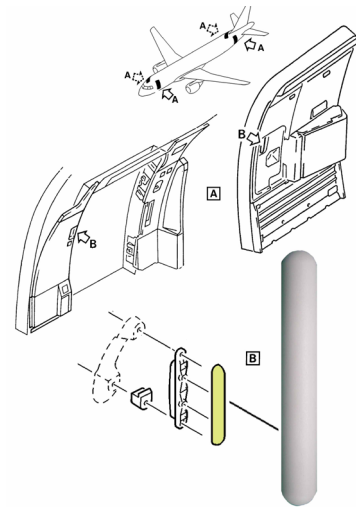
A340-200, -300, -500, -600 Series

Because time matters
kapco-global.com



Kapco Global
Aerospace Parts & Distribution Services

The HANDLE is part of the Door Lining Installation and serves as an outer decorative plastic cover for the door assist handle. The purpose of the HANDLE is to provide a mild grip support for passengers and flight crew. The HANDLE is on the outer surface of the door assist handle and is attached with 2 screws.



Part Name	ATS PMA P/N	OEM P/N	OEM	ELIGIBILITY
Handle	A2527576120400ATS	A2527576120400	Airbus	A300-600 A310 A319 Series A320 Series A321 Series A340-200, -300, -500, -600 Series

Advantages of Product Improvement:

Improved availability of parts in the market and offers a substantial cost savings over the OEM part without affecting the original form, fit or function.

Hazmat Statement: Parts manufactured by AAXICO Technical Services do not willfully contain hazardous materials and metals derived from minerals defined as "Conflict Minerals". These include, but are not limited to, tantalum, tin, tungsten and gold. For more information regarding "Conflict Minerals," please refer to section 1502 of the Dodd-Frank Act.

US Locations

Corporate
Headquarters
+1 714-223-5400
Centerbrook Facility
+1 860-581-5700

Tamarac
Facility
+1 954-247-6680

Europe Locations

France Facility
+33 388 07 26 40
Netherlands Facility
+31 20 655 4330
Spain Facility
+34 648 132 116
United Kingdom Facility
+44 1420 482900

Asia Locations

Singapore Facility
+65 62143233
China Facility
+86 20 87337907



Kapco Global
Aerospace Parts & Distribution Services