

THE INFORMATION AND DESIGN DISCLOSED HEREIN WAS ORIGINATED BY AND IS THE PROPERTY OF ANCR INTERNATIONAL. ANCR INTERNATIONAL RESERVES ALL PATENT PROPRIETARY, DESIGN, MANUFACTURING, REPRODUCTION, USE AND SALES RIGHTS THEREIN, AND TO ANY ARTICLE DISCLOSED HEREIN, EXCEPT TO THE EXTENT RIGHTS ARE EXPRESSLY GRANTED TO OTHERS IN WRITING. THE FOREGOING DOES NOT APPLY TO VENDOR PROPRIETARY PARTS.

REV	DESCRIPTION	BY	CHK	APP	DATE
H	REVISED NOTE 18 & TABLE 1	WB	MP	EM	01/21/19
J	REVISED P/N & ADDED NOTE 20	JD	MP	EM	02/11/19
K	REVISED HOOK ASSY P/N	WB	MP	EM	02/22/19
L	REVISED P/L & NOTES 13, 14, & 17	WB	MP	EM	05/21/19
M	REVISED NOTES 10 & 13	WB	MP	EM	05/28/19
N	REVISED NOTES 9, 12, & 20	WB	MP	JR	06/03/20

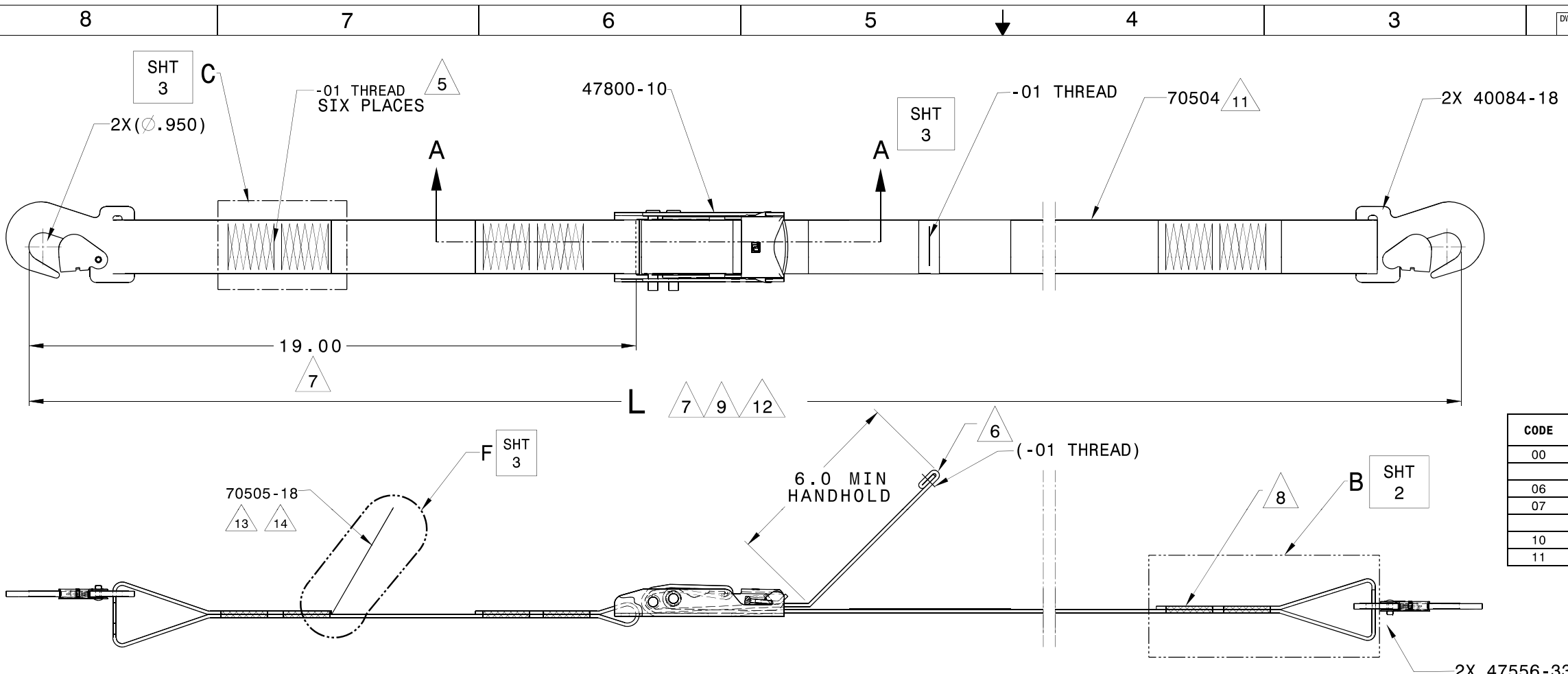


TABLE 1 11 18

CODE	COLOR DESCRIPTION	COLOR GRADE PER FED SPEC 595	EQUIVALENT HEXAGONAL CODE
00	NATURAL, WHITE	-	-
06	RED	#11350	A93D43
07	BLUE	#15065	2CSE81
10	GREEN	#14090	2B6E4E
11	YELLOW	#13655	FDD31D

-10 CONFIGURATION

NOTES UNLESS OTHERWISE SPECIFIED:

- ASSEMBLE PER ECS-100.
- DELETED AT REV. 'B'.
- ULTIMATE LOAD (UL): 5,000 LBF (22,241 N).
LIMIT LOAD (LL) : 3,333 LBF (14,826 N).
- OPTIONAL: USE POLYESTER THREAD, NO. 4 CORD, OLIVE DRAB COLOR, PER V-T-285.
- SEW PAIR OF 1.5 INCH X 1.5 INCH ZIG ZAG PATTERNS WHERE SHOWN, CENTERED & SQUARED AS SHOWN IN DETAIL C.
- BAR TACK TO CAPTIVATE END.
- TOLERANCE ON OVERALL WEBBING & STRAP LENGTH IS ±2%.
- APPROPRIATE WEBBING LOOP MUST BE CONFIGURED AT CORRESPONDING HARDWARE ATTACHMENT POINTS PER DETAILS B, D & E.
- LENGTH OF STRAP ASSY IS AN INTEGER NUMBER OF FEET. ALL LENGTHS MUST BE TO THE NEAREST FOOT. MINIMUM LENGTH IS 4 FEET, MAXIMUM LENGTH IS 30 FEET. FOR LENGTHS UNDER 10 FEET, DASH NUMBERS MUST HAVE TWO CHARACTERS, WITH FIRST CHARACTER "0".
- PART DESCRIPTION:
70071 - - - - -
COLOR CODE (SEE TABLE 1)
STRAP LENGTH IN FEET 7 9
DASH NO (" -10" THRU "-13")
BASIC PART NO.

- PART NUMBER CODE FOR 70504 WEBBING:
70504 - - - - -
WEBBING LENGTH TO THE NEAREST INCH 12
COLOR CODE (SEE TABLE 1)
BASIC PART NO.
- FINAL WEBBING DASH NO. IS LENGTH OF WEBBING TO THE NEAREST INCH. TO DETERMINE OVERALL WEBBING LENGTH ADD 51 INCHES TO ALL -10 & -12 STRAP OVERALL LENGTHS AND 38 INCHES TO ALL -11 & -13 OVERALL LENGTHS. FOR EXAMPLE ANY 70071-10-09-XX STRAP ASSY REQUIRES 9 FT (108.0) + 51.0 = 159.0 INCHES OF WEBBING, THEREFORE THE FINAL WEBBING DASH NO. IS -159
- LABEL MUST BE STAMPED WITH APPROPRIATE DATE OF MANUFACTURE AND EXPIRY DATE. MANUFACTURE DATE IS DATE OF FINAL ASSEMBLY. EXPIRY DATE IS EITHER THREE YEARS AND TWO MONTHS AFTER DATE OF MANUFACTURE OR WHEN WEBBING LIFE REACHES SIX YEARS - WHICHEVER COMES FIRST. PURCHASE ORDER DATE FOR WEBBING IS START OF WEBBING LIFETIME. IF STRAP IS TSO APPROVED (SEE NOTE 20), PRINT TSO & ETSO SPECIFICATION NUMBERS IN THE AREAS SPECIFIED. PRIOR TO ISSUE OF APPROVAL, PRINT "PENDING". IF STRAP IS NOT TSO APPROVED, PRINT "N/A". FOR STOCK LABELS PRINTED TO EARLIER REVISIONS, BLACK OUT TEXT: "ISO 16049-1/AS5385 ETSO-C172/TSO-C172a COMPLIANT STRAP".
- CAPTIVATE BOTTOM PORTION OF LABEL IN SEW PATTERN AS SHOWN IN DETAIL F, APPROX. CENTERED AND SQUARED. ASSEMBLE LABEL TO STRAP SO THAT THE INFORMATION CONTAINED ON TOP PORTION OF THE LABEL FACE IS VISIBLE FROM ABOVE, AS SHOWN IN VIEW G-G.
- DELETED AT REVISION C
- OPTION: MAY USE 70509-12 RATCHET BUCKLE.

- ANY CHANGES TO A TSO-C172a COMPLIANT DASH NUMBER (SEE NOTE 20) REQUIRE FAA APPROVAL.
- WHITE (-00), RED(-06), BLUE (-07), GREEN (-10), AND YELLOW (-11) ARE THE ONLY COLORS APPROVED PER TSO-C172a. ALL OTHER COLORS ARE NOT APPROVED.
- 11 IS INACTIVE AND REPLACED BY -10.
-13 IS INACTIVE AND REPLACED BY -12.
- 70071-10-24-XX AND LONGER STRAPS COMPLY WITH TSO-C172a. SHORTER LENGTHS DO NOT COMPLY.
70071-12-XX-XX STRAPS COMPLY WITH TSO-C172a FOR ALL STRAP LENGTHS.

Quantity	Part Number	Nomenclature	Definition	Product Description
1	70505-18	LABEL-TSO STRAP		
1	-01 4	THREAD	POLYESTER, NO. 4 CORD, OLIVE DRAB	MIL-DTL-32072
2	47556-33	FITTING ASSY	5000 LB, DOUBLE STUD	
1	70504-05-1500	WEBBING		
2	40084-18	HOOK ASSY		
1	70504-05-242	WEBBING		
1	47800-10	OVERCENTER BUCKLE ASSY, TSO STRAP		

Bill of Material: 70071-10

COMPUTER PRODUCED DRAWING USING CATIA V5, NO MANUAL ALTERATION

UNLESS OTHERWISE SPECIFIED

INTERPRET DRAWING PER ASME Y14.5M-1994
ALL MACH SURFACES TO BE $\frac{1}{8}$ " PER ASA B46.1 AND FREE FROM FLAWS.
BREAK ALL SHARP EDGES .015 R MAX.
REMOVE ALL BURRS.
FILLET RADII .010 MAX.
PART MARKINGS TO CONFORM TO ECS-820
DIMENSIONS ARE IN INCHES.
DIMENSIONS APPLY AFTER FINISH.
TOLERANCES: .X ±.1
.XX ±.03
CATIA DRAWING .XXX ±.010

ANGLES ± 1° 0'
FRACTIONS ± 1/16

CUSTOMER APPROVAL: SCALE: 1/2 SH 1 OF 4 FSCM 31272 SIZE D DWG. NO. 70071 REV N

HEAT TREAT

FINISH

SEE E.O. FOR ORIGINAL SIGNATURES

APPROVED: E. MORADIANS 04/29/15

ENGINEER: W. BURROWS 04/29/15

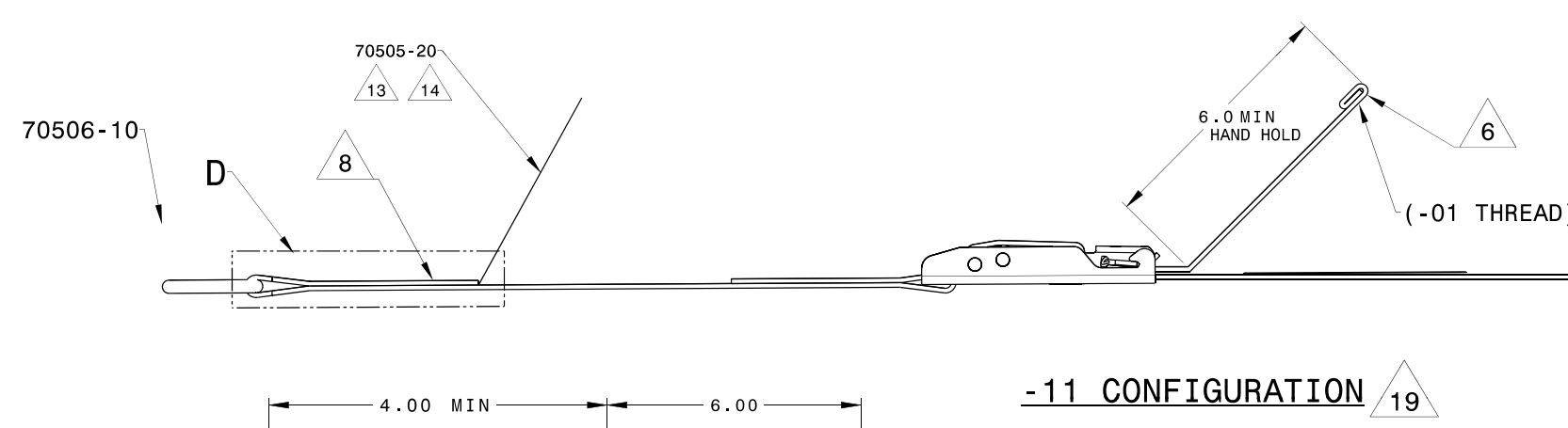
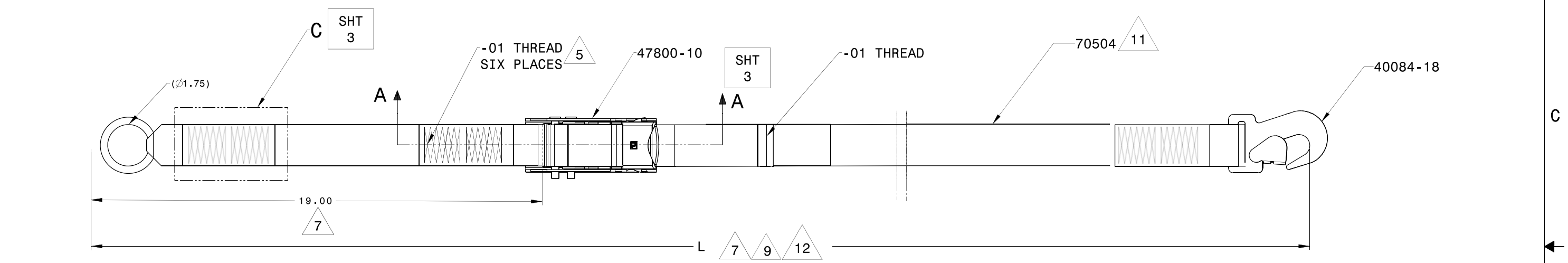
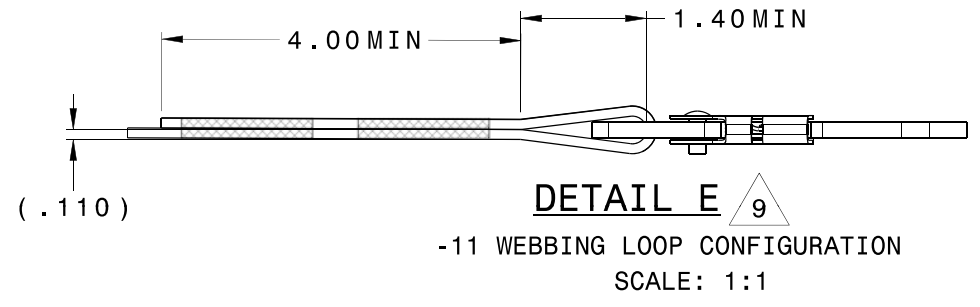
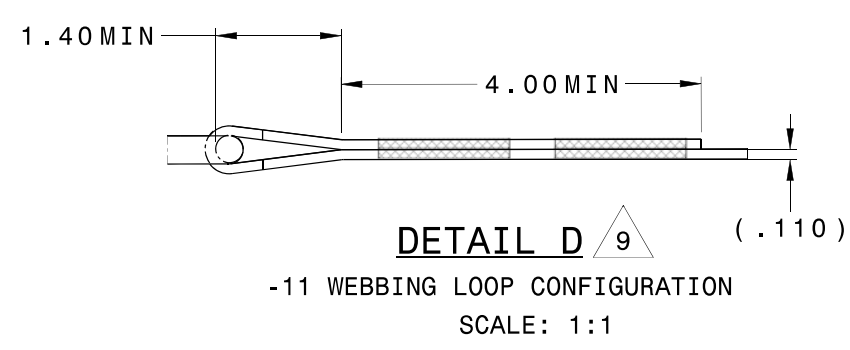
CHECKED: M. POPOFF 04/29/15

DRAWN: I. M. NICA 03/25/15

ANCR INTERNATIONAL
AZUSA, CA 91702

TSO OVERCENTER TIEDOWN HYBRID STRAP ASSY

THE INFORMATION AND DESIGN DISCLOSED HEREIN WAS ORIGINATED BY AND IS THE PROPERTY OF ANCR INTERNATIONAL. ANCR INTERNATIONAL RESERVES ALL PATENT PROPRIETARY, DESIGN, MANUFACTURING, REPRODUCTION, USE AND SALES RIGHTS THEREIN, AND TO ANY ARTICLE DISCLOSED HEREIN, EXCEPT TO THE EXTENT RIGHTS ARE EXPRESSLY GRANTED TO OTHERS IN WRITING. THE FOREGOING DOES NOT APPLY TO VENDOR PROPRIETARY PARTS.



-11 CONFIGURATION $\triangle 19$

Quantity	Part Number	Nomenclature	Definition	Product Description
1	70505-20	LABEL-TSO STRAP		
1	-01 $\triangle 4$	THREAD	POLYESTER, NO. 4 CORD, OLIVE DRAB	MIL-DTL-32072
1	40084-18	HOOK ASSY		
1	70506-10	ISO FITTING ASSY, TSO STRAP		
1	70504-207-1490	WEBBING		
1	70504-05-252	WEBBING		
1	47800-10	OVERCENTER BUCKLE ASSY, TSO STRAP		

Bill of Material: 70071-11

DRAWN	I. M. NICA	03/25/15
CHECKED	M. POPOFF	04/29/15
ENGINEER	W. BURROWS	04/29/15
STRESS		
APPROVED	E. MORADIANS	04/29/15
SCALE:	1/2	

ANCR INTERNATIONAL
AZUSA, CA 91702

SIZE D DWG. NO. 70071 REV N

70071

8

7

6

5

4

3

DWG. NO.

70071

REV

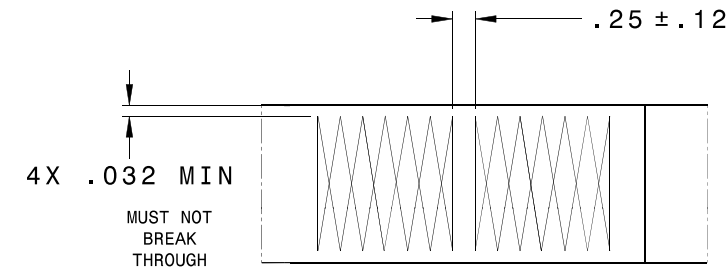
N

SH

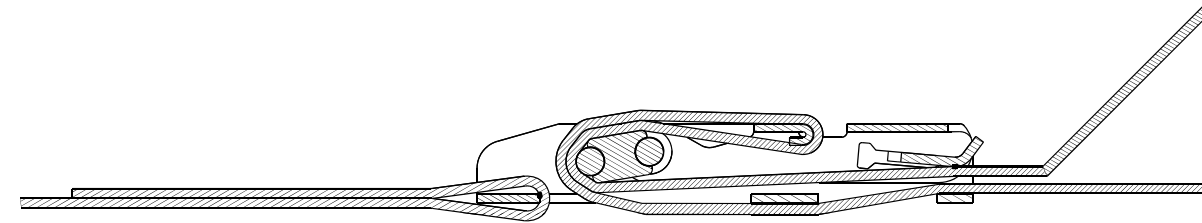
3

1

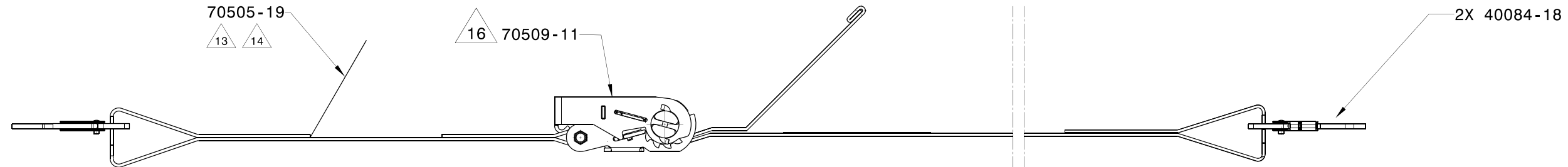
THE INFORMATION AND DESIGN DISCLOSED HEREIN WAS ORIGINATED BY AND IS THE PROPERTY OF ANCR INTERNATIONAL. ANCR INTERNATIONAL RESERVES ALL PATENT PROPRIETARY, DESIGN, MANUFACTURING, REPRODUCTION, USE AND SALES RIGHTS THEREOF, AND TO ANY ARTICLE DISCLOSED HEREIN, EXCEPT TO THE EXTENT RIGHTS ARE EXPRESSLY GRANTED TO OTHERS IN WRITING. THE FOREGOING DOES NOT APPLY TO VENDOR PROPRIETARY PARTS.



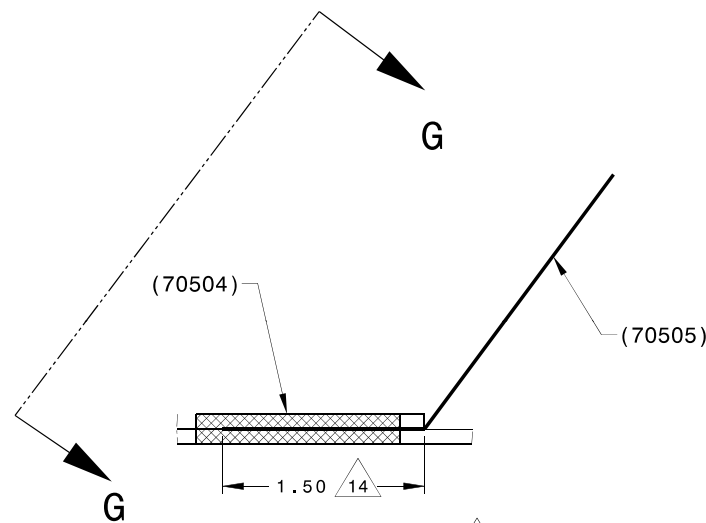
DETAIL C TYP Δ 5
-10, 11, 12 & -13 STITCH PATTERN CONFIGURATION
SCALE 1/1



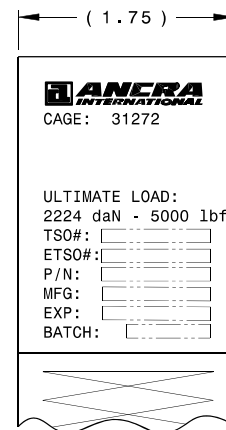
SECTION VIEW A-A
-10 & -11 REEVING DIAGRAM
SCALE 1/1



-12 CONFIGURATION
SAME AS -10 EXCEPT AS SHOWN



DETAIL F TYP Δ 14
-10, -11 & -12 LABEL CAPTIVATION DETAIL
NOT TO SCALE



VIEW G-G TYP Δ 14
-10, -11 & -12 LABEL TOP PORTION
NOT TO SCALE

Quantity	Part Number	Nomenclature	Definition	Product Description
1	70505-19	LABEL-TSO STRAP		
1	-01 Δ 4	THREAD	POLYESTER, NO. 4 CORD, OLIVE DRAB	MIL-DTL-32072
2	47556-33	FITTING ASSY	5000 LB, DOUBLE STUD	
1	70504-05-1501	WEBBING		
2	40084-18	HOOK ASSY		
1	70504-05-242	WEBBING		
1	70509-11	RATCHET BUCKLE - 1.75"		

Bill of Material: 70071-12

DRAWN	J. DANSILA	01/17/17
CHECKED	M. POPOFF	01/17/17
ENGINEER	J. DANSILA	01/17/17
STRESS		
APPROVED	E. MORADIANS	01/17/17
SCALE:	1/2	



AZUSA, CA 91702

SIZE	D	DWG. NO.	70071	REV	N
------	---	----------	-------	-----	---

70071
REV
N

8

7

6

5

4

3

2

1

REFER TO "DocCtrlCopies" FOR LATEST REVISION

8

7

6

5

↓

4

3

DWG. NO.

70071

REV

N

SH

4

1

THE INFORMATION AND DESIGN DISCLOSED HEREIN WAS ORIGINATED BY AND IS THE PROPERTY OF ANCR INTERNATIONAL. ANCR INTERNATIONAL RESERVES ALL PATENT PROPRIETARY, DESIGN, MANUFACTURING, REPRODUCTION, USE AND SALES RIGHTS THEREOF, AND TO ANY ARTICLE DISCLOSED HEREIN, EXCEPT TO THE EXTENT RIGHTS ARE EXPRESSLY GRANTED TO OTHERS IN WRITING. THE FOREGOING DOES NOT APPLY TO VENDOR PROPRIETARY PARTS.

D

D

C

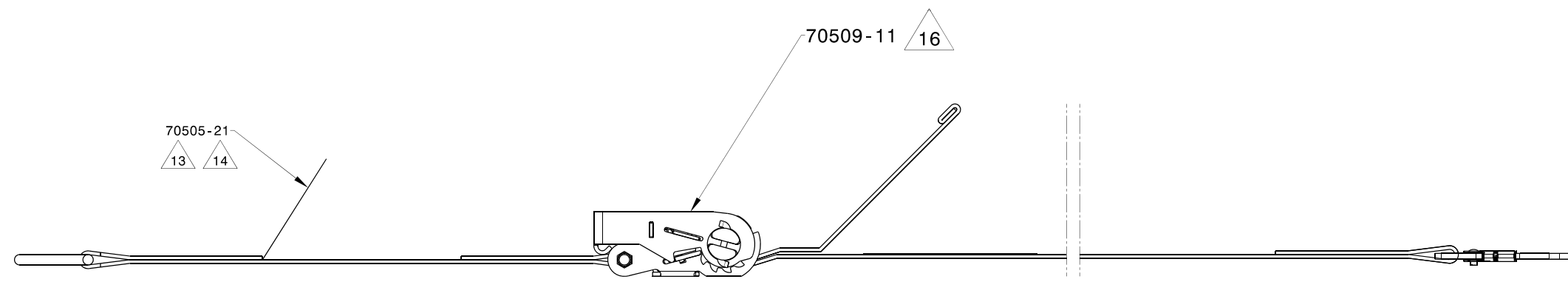
C

B

B

A

A



-13 CONFIGURATION
SAME AS -11 EXCEPT AS SHOWN 19

1	70505-21	LABEL-TSO STRAP		
1	-01 4	THREAD	POLYESTER, NO. 4 CORD, OLIVE DRAB	MIL-DTL-32072
1	40084-18	HOOK ASSY		
1	70509-11	RATCHET BUCKLE - 1.75"		
1	70506-10	ISO FITTING ASSY, TSO STRAP		
1	70504-05-252	WEBBING		
1	70504-12-1490	WEBBING		
Quantity	Part Number	Nomenclature	Definition	Product Description

Bill of Material: 70071-13

DRAWN	J. DANSILA	01/17/17
CHECKED	M. POPOFF	01/17/17
ENGINEER	J. DANSILA	01/17/17
STRESS		
APPROVED	E. MORADIANS	01/17/17



SCALE:	1/2	SH 4 OF 4	FSCM	31272	SIZE	D	DWG. NO.	70071	REV	N
--------	-----	-----------	------	-------	------	---	----------	-------	-----	---

70071
REV N
4

8

7

6

5

↑

4

3

2

1

REFER TO "DocCtrlCopies" FOR LATEST REVISION