

**ATS** AAXICO Technical Services  
**PMA Product Release**

**11-6557-5AATS/-5BATS/-5DATS**  
**11-6557-5GATS /-7GATS**  
**Bezel Assembly**



**INSTALLS ON:**  
**Passenger Reading Light**  
**B737NG**  
**B757 Series**  
**B767 Series**  
**B777 Series**

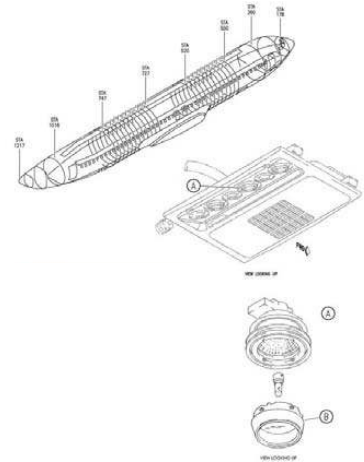
**Because time matters**  
**kapco-global.com**



**Kapco Global**  
Aerospace Parts & Distribution Services

The BEZEL ASSEMBLY is part of the reading light in the overhead passenger service unit (PSU). It is made in several different colors to match the color of the reading light.

The BEZEL ASSEMBLY covers and protects the reflector and lamp inside the passenger reading light. It also facilitates the removal and replacement of the lamp. The bezel is free to rotate on the reading light. This design prevents loosening of the bezel due to vibration and passive tampering.



Part Name	ATS PMA P/N	OEM P/N	OEM	ELIGIBILITY
Bezel Assembly	11-6557-5AATS	11-6557-5A	Honeywell International	11-6557-5AATS, 11-6557-5BATS, 11-6557-5DATS 737-600, 700, 700C, 800, 900 Series 757-200 Series 11-6557-5GATS 737-600, 700, 700C, 800, 900 Series 747-400 Series 757-200 Series 767-200, -300 Series 777-200, 200LR, 300, 300ER Series 11-6557-7GATS 737-600, 700, 700C, 800, 900, 900ER Series 757-200, 300 Series 767-200, 300 Series 777-200, 200LR, 300, 300ER Series
	11-6557-5BATS	11-6557-5B		
	11-6557-5DATS	11-6557-5D		
	11-6557-5GATS	11-6557-5G		
	11-6557-7GATS	11-6557-7G		

## Advantages of Product Improvement:

Improved availability of parts in the market. Offers a substantial cost savings over the OEM part without affecting the original form, fit or function.

**Hazmat Statement:** Parts manufactured by AAXICO Technical Services do not willfully contain hazardous materials and metals derived from minerals defined as “Conflict Minerals”. These include, but are not limited to, tantalum, tin, tungsten and gold. For more information regarding “Conflict Minerals,” please refer to section 1502 of the Dodd-Frank Act.

### US Locations

**Corporate Headquarters**

+1 714-223-5400

**Santa Clarita Facility**

+1 661-621-6500

**Centerbrook Facility**

+1 860-581-5700

**Wellington Facility**

+1 561-798-6606

**Miami Facility**

+1 305-592-4633

### Europe Locations

**France Facility**

+33 388 07 26 40

**Netherlands Facility**

+31 20 655 4330

**Spain Facility**

+34 648 132 116

**United Kingdom Facility**

+44 1420 482900

### Asia Locations

**Singapore Facility**

+65 62143233

**China Facility**

+86 20 87337907



**Kapco Global**  
Aerospace Parts & Distribution Services

[kapco-global.com](http://kapco-global.com)